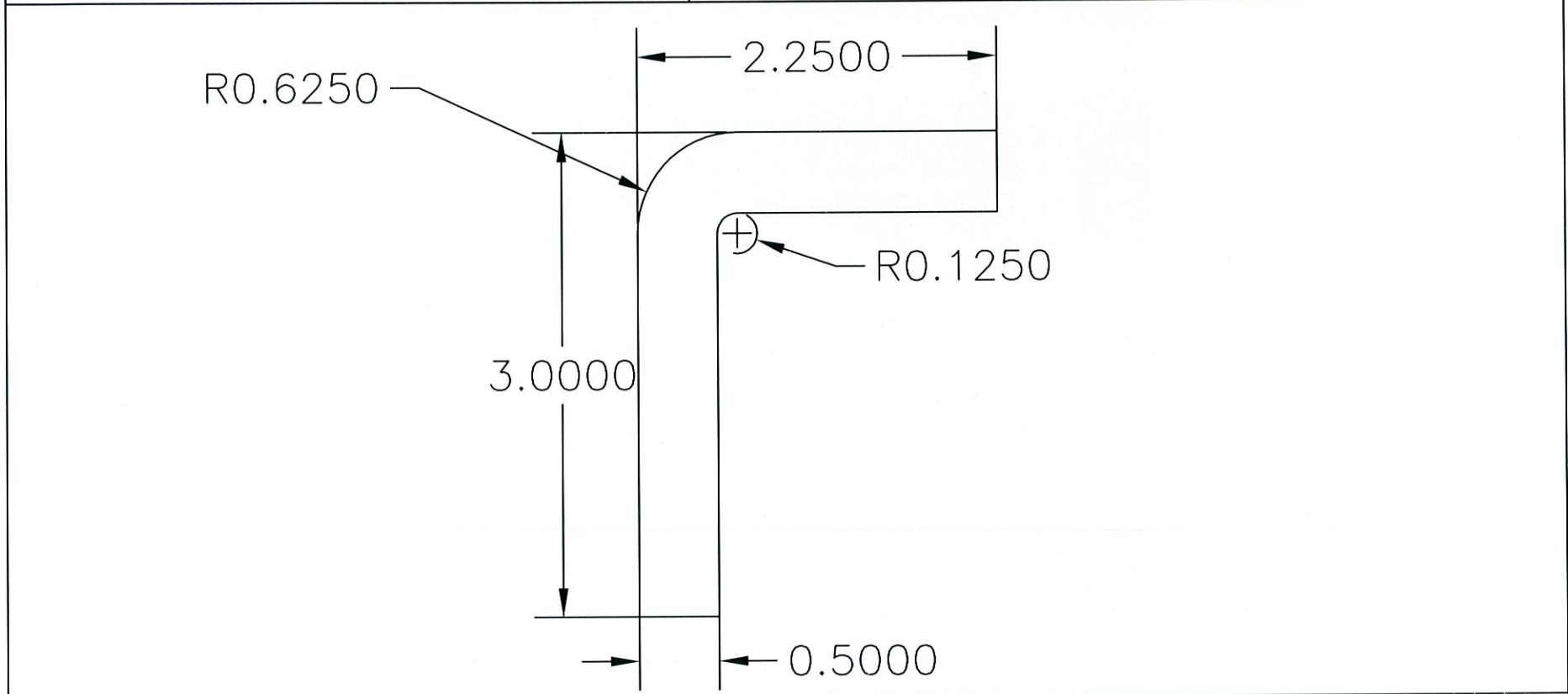


Notes:	REVISIONS				
	ZONE	REV	DESCRIPTION	DATE	APPROVED



<b>Tolerances:</b> Length +1"-0" Width +/- 1/16" Height +/- .032" Straightness +/- .050"/Ft.		Polyply Composites LLC 1540 Marion St. Grand Haven, Mi. 49417  Phone: (616)842-6330 Fax: (616)842-5320 email: polyply@polyplycomposites.com		Fiberglass Pultruded Angle #2891  P50 (GP03) Material	
1st Approval & Date	2nd Approval & Date	SIZE	FSCM NO.	DWG NO.	REV
<i>Don [Signature]</i> 10/31/11	<i>[Signature]</i> 10/31/11	SCALE 1:1	SHEET		A

